



# Leaf

Owner's manual

L115 / L136 / L147 / L168

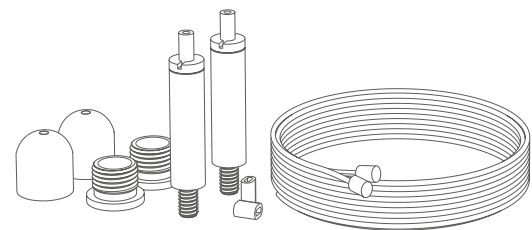
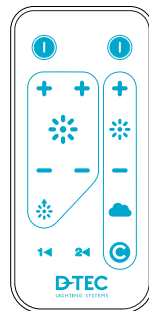
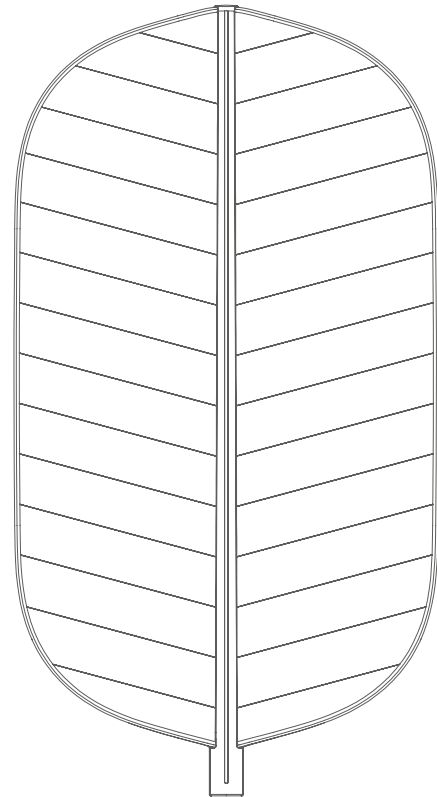
## Unpacking your Leaf

Carefully open the packaging without using any sharp objects!  
In the package you will find the following items:

- The Leaf Luminaire
- Wire arrangements for attaching the luminaire to the ceiling. (2 pcs)
- Remote Control Unit and holder

### Note

Do not disassemble. Do not cut or replace the power cord, replacement may be performed by authorized personal only.  
Leaf is for indoor use only.



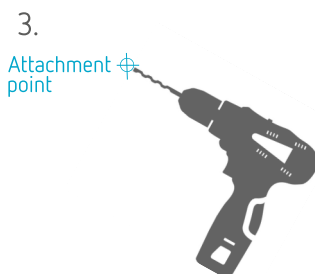
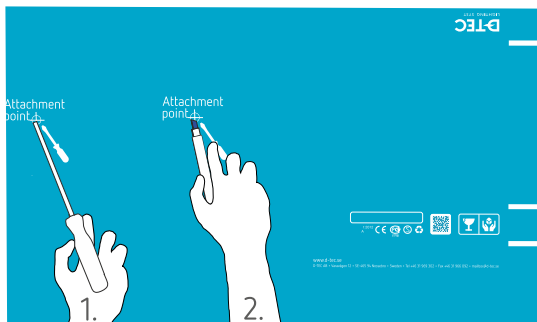
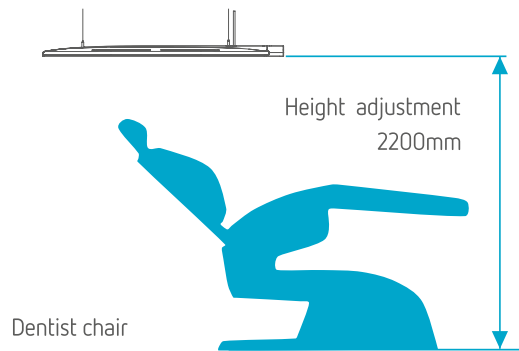
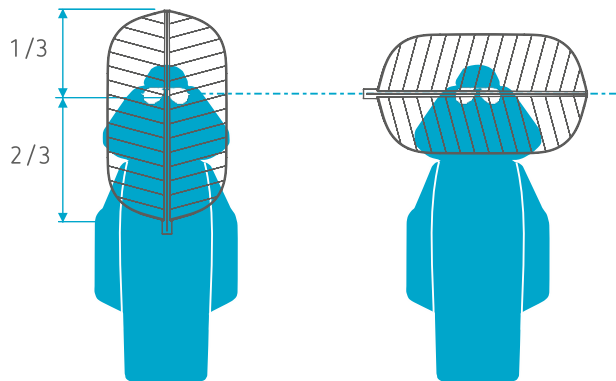
## Positioning your Cloud

Parallel position:

The patient's eyes should be in line with one third of the length of the luminaire.

Crosswise position:

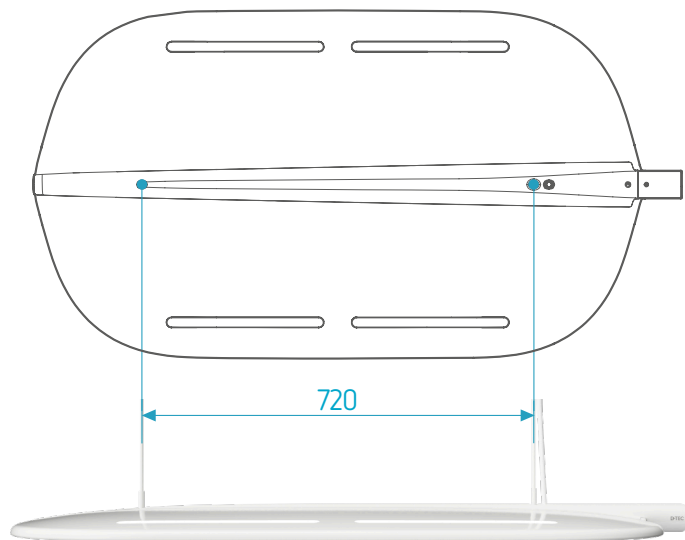
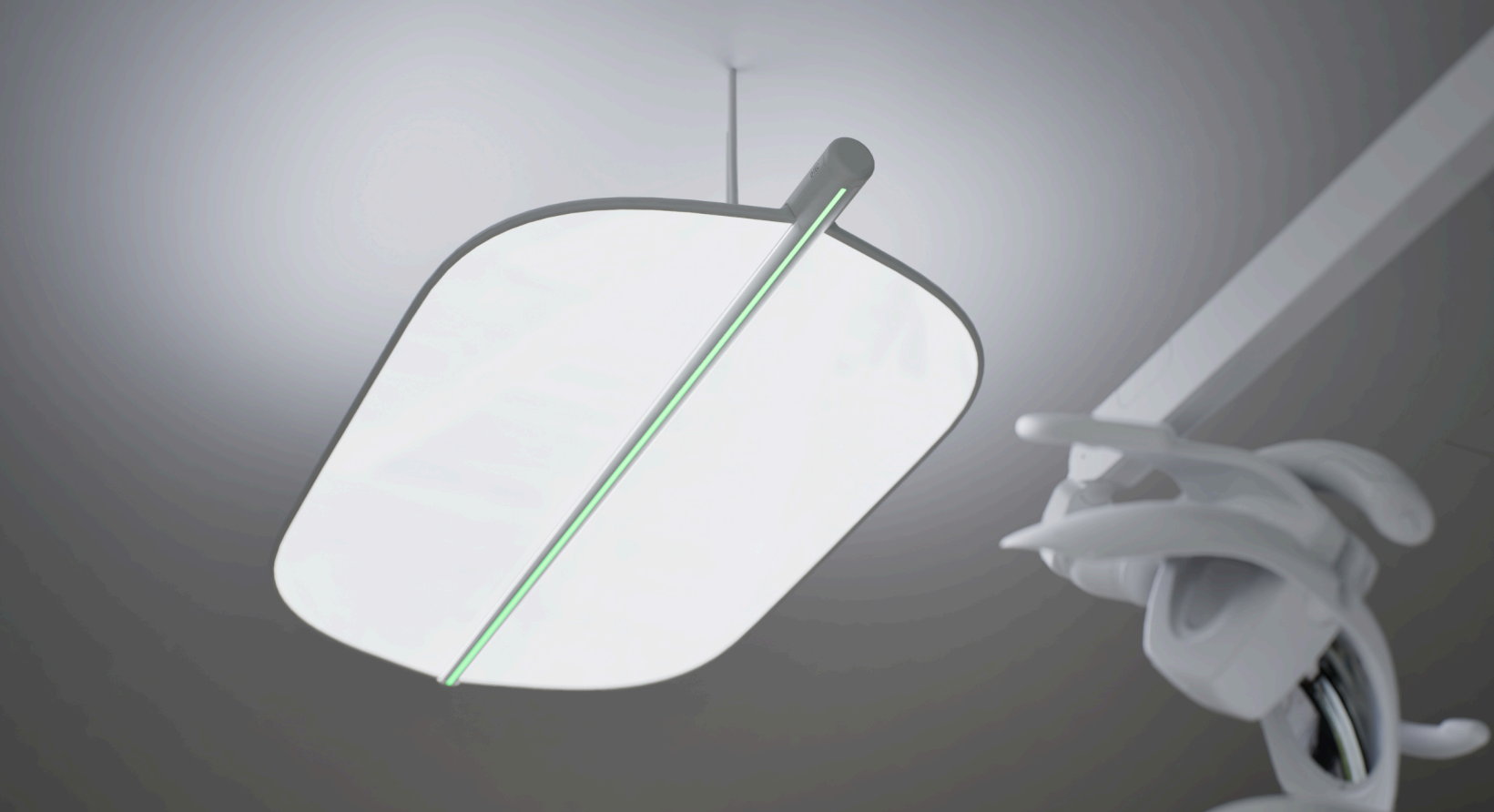
The luminaire in line with the patient's eyes.



## Prepare the mounting

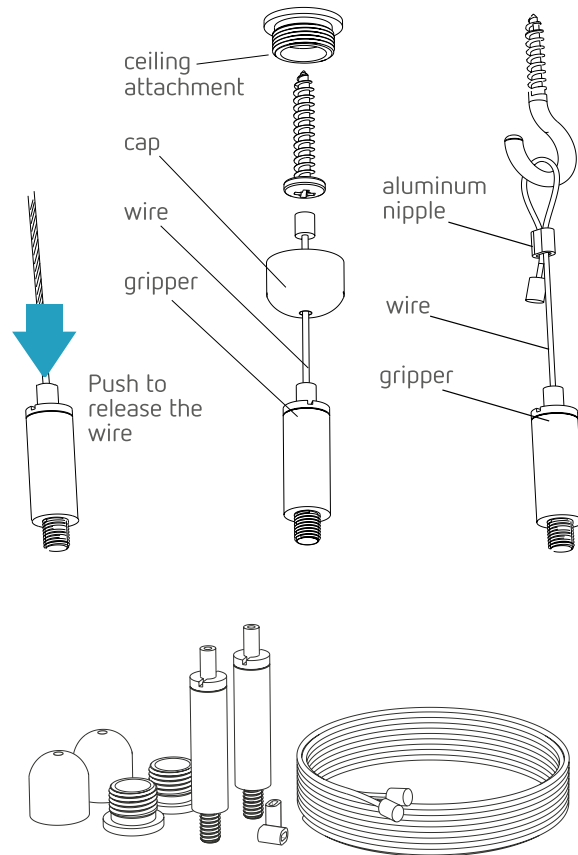
After unpacking the luminaire, you can use the packaging as a guide for marking the attachment points in the ceiling.

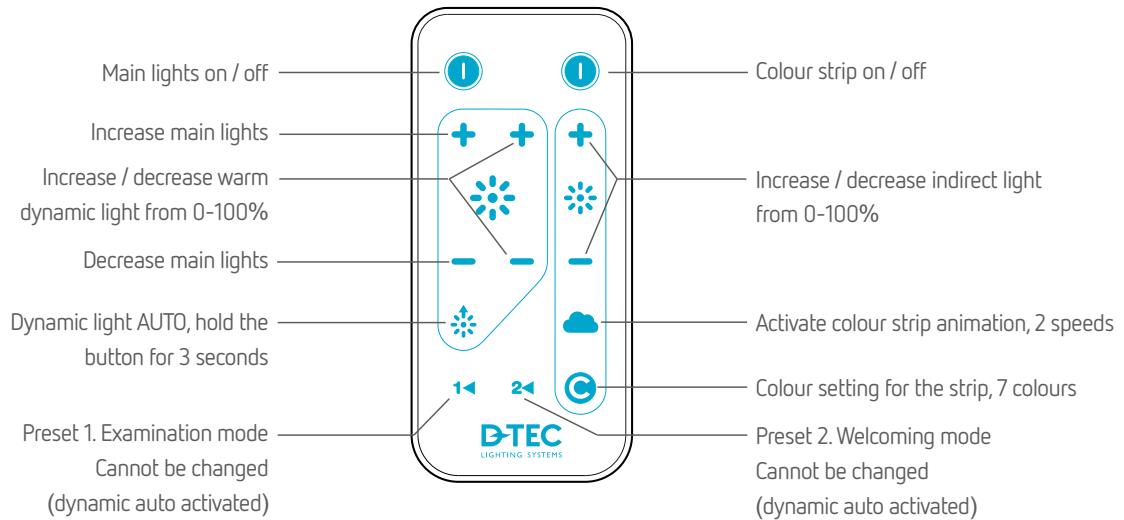
1. Punch holes with a screwdriver or similar through the front of the packaging at the attachment point markings as indicated.
2. Position the cardboard lid where you want to mount the luminaire and mark out the ceiling points.
3. Drill your holes for the attachment.



## Mounting in the ceiling

Use the provided mountings. You can also use hooks, or if more suitable a carrier rail with hooks as illustrated.





## Operating Leaf

The Leaf luminaire is operated with a remote control for all functions. It is delivered with a holder that could be mounted on a wall, table, etc.

There are three different light sources in the Leaf luminaire: bright white light (left +/- buttons), warm white light (middle +/- buttons) and indirect light (right +/- buttons.).

When working with light curing materials, it may be necessary to decrease the amount of bright white light to avoid that the material will cure too fast. Lowering the light in Leaf may also make it easier to examine x-rays.

Leaf is a very energy efficient luminaire. To make it even more efficient it may be useful to lower the amount of light when there is no patient under treatment.

Leaf has two preset buttons to choose between “welcoming mode” and “examination mode”, button 1 and 2. Press one of the number buttons to use the preset values. To go back to previous values, press the button once again. When your Leaf include the options indirect light and / or dynamic light, then these will be activated using preset 1 and 2.

## Animated light effect:

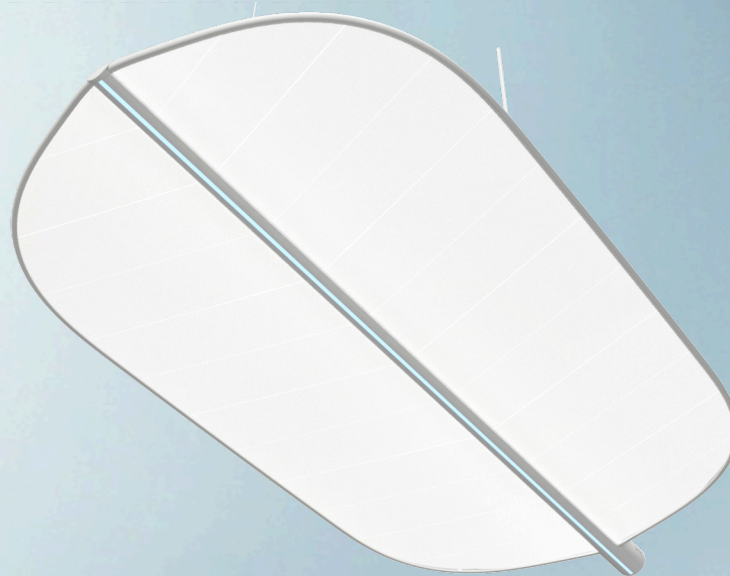
Leaf comes with an animated colour light effect that can be controlled separately from the other light sources. The light strip will fade between different hues and there are two speed settings available. Use the Cloud button to activate the effect and press the button again to change between fast and slow.

The luminaire can also show static solid colours. Use the C button to change colour.

## Dynamic daylight

Leaf comes with a Dynamic daylight function that can change the colour temperature of Leaf between approx 3000-5700K automatically over time. By doing this, Leaf can mimic some of the differences in light temperature that occurs in nature. Even though the changes are very subtle, the differences in colour temperature can stimulate your senses in a similar way that the natural variations in daylight does outdoors.

To activate Dynamic daylight, hold the button for three seconds. The led indicator on the luminaire will flicker while you are holding the button. To deactivate, hold the button again for three seconds.



L115 / L136 / L147 / L168

## Facts

Voltage: 220-240VAC 50-60hz

Power: 115-168W, depending on options

CRI (Ra):98

Light: 3000lux / 1,2

L115: Luminaire including colour strip with 115W

L136: Basic luminaire + Dynamic light with 136W

L147: Basic luminaire + Indirect light with 147W

L168: Basic luminaire + Dynamic light + Indirect light with 168W

Weight: 12kg

Dimensions: 1191x640x53mm

D-TEC AB

Varavägen 12

SE-465 94 Nossebro, Sweden

Phone +46 (0) 31-96 93 02

Email [mailbox@d-tec.se](mailto:mailbox@d-tec.se)

[www.d-tec.se](http://www.d-tec.se)

