

KaVo CENTRO® 1540

The pillar of strength in the practice.



KaVo. Dental Excellence.

The carrying power of the concentric idea.

Concentration on the common core. Shifting the weight to a reliable support. A performer with a future in the centre of your working area. The idea of concentric working: KaVo Centro. The support system for your practice.

In early Greek mythology, the whole globe was supported by only one entity. KaVo Centro carries the complete world of work in terms of your practice equipment.

You need such a support in your day to day work in the practice. Because more and more equipment takes up more and more space leaving less room for movement in the treatment area.

A powerful organization system directly next to the treatment unit is indispensable. Accessibility is retained and the routes for personnel and patients remain unobstructed.



Where will the operating light go?



Where shall I put the X-ray film viewer?



What's the best place for supplementary devices?



Where shall I position the light?



What is the best way to install the microscope?



Where does the monitor belong?



KaVo Centro. The strongest working circle.

Short routes are a basic principle in organisation. A common centre point. Concentrated working. The idea of concentric working is pivotal to success.

Everything is to hand. Whether monitor, microscope, lighting, X-ray film viewer or support trays - KaVo Centro allows a great deal to be accommodated.

Numerous horizontal arm attachment points allow installation of practice equipment, radiating out from the central column. Four, full height integral but accessible ducts provide mounted equipment with all their necessary services. The entire structure is stable and secure, being firmly fastened between floor and ceiling.

KaVo Centro. The powerful support equips you for the future.

No problems even with heavy and unwieldy components

Stable, hidden ceiling and floor mounting

Fully adjustable for room heights between 2.40 m and 3.40 m

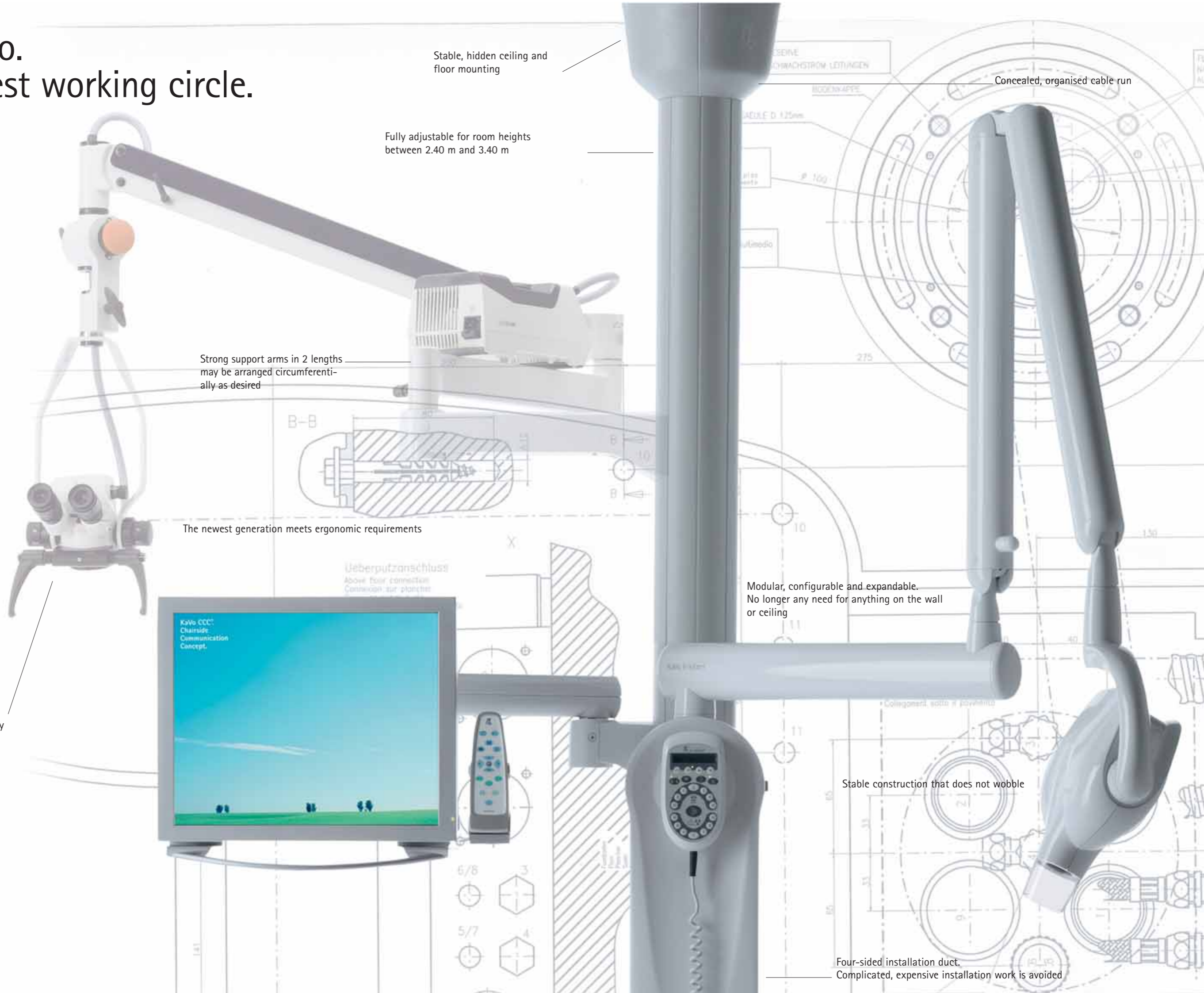
Strong support arms in 2 lengths may be arranged circumferentially as desired

The newest generation meets ergonomic requirements

Modular, configurable and expandable. No longer any need for anything on the wall or ceiling

Stable construction that does not wobble

Four-sided installation duct. Complicated, expensive installation work is avoided



Support for the practice with a future.



KaVo Centro grows with your needs



Individually configurable



Future expansion ensured

Ready to hand: everything close by. With KaVo Centro, you can optimize your personal ergonomics. All operations are integrated in a harmonious process. This leads to a smooth, relaxed work sequence which also puts the patient at ease.

Also economically viable for the future: KaVo Centro gives you individual configuration and expansion options for future technologies, regardless of the different product lifetimes of the individual components. The technical equip-

ment can always remain at the latest level. Re-equipping and upgrading is fast and clean - without disturbing the operation of the practice.

KaVo Centro 1540 - full concentration on the practice.

KaVo CENTRO® 1540

Mat-Nr. 1.004.1225 09/04-ll/en We reserve the right to make technical modifications. Slight colour differences are due to the printing process. © Copyright KaVo Dental GmbH.



KaVo. Dental Excellence.

KaVo Dental GmbH · D 88400 Biberach/Riß · Telefon +49 7351 56-0 · Fax +49 7351 56-1488 · www.kavo.com